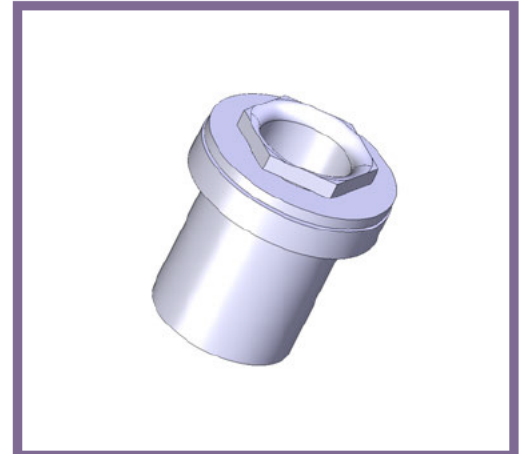


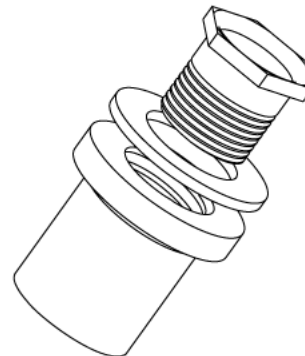


FCS1 - FLANGE COUPLER

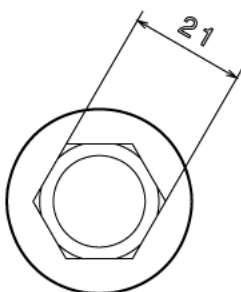
Description	FCS1G / B - 20mm Flange Coupler
Finish	Galvanised (G) or Black Enamel (B)
Material	Steel Body, Lead Washer and Brass Bush
Packaging	Packed in qty 50
Additional Notes	Comprises of Flange Body, Lead Washer and Male Brass Bush Compliant to LU Standard 1-085 (for use on surface & sub-surface locations)



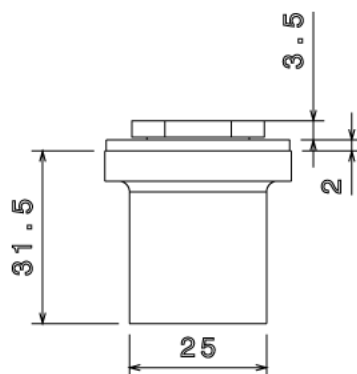
Isometric view



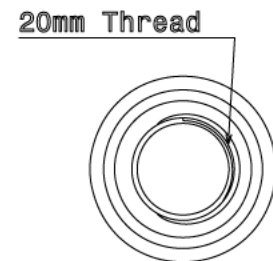
Explosion view



Top view



Side view



Bottom view

All measurements in mm unless otherwise stated