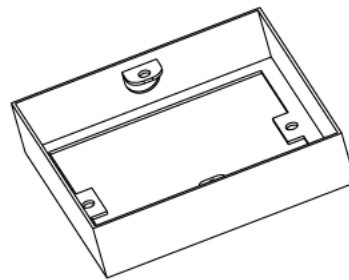
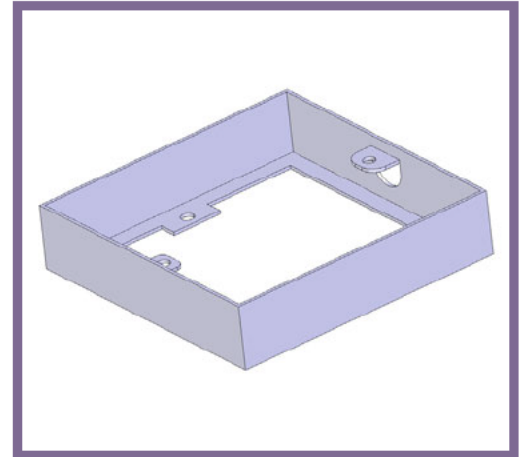


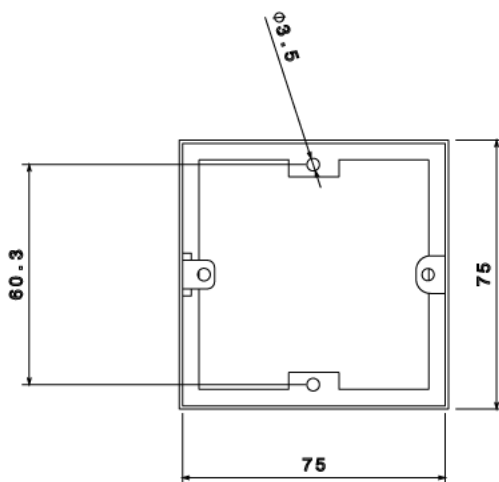


EWS9 - SWITCH & SOCKET BOX

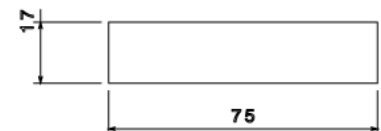
Description	EWS9 - 16mm Extension Switch & Socket Box
Finish	Pre Galvanised
Material	Sheet steel to comply with BS4667
Packaging	Packed in qty 20
Additional Notes	Comprises of Body and Earth Terminal with screw 1 fixed lugs and 1 adjustable lug , 20mm Knockouts Compliant To BS4662 & LU Standard 1-085 (For Use On Surface & Sub-Surface Locations)



Isometric view



Top view



Side view

All measurements in mm unless otherwise stated