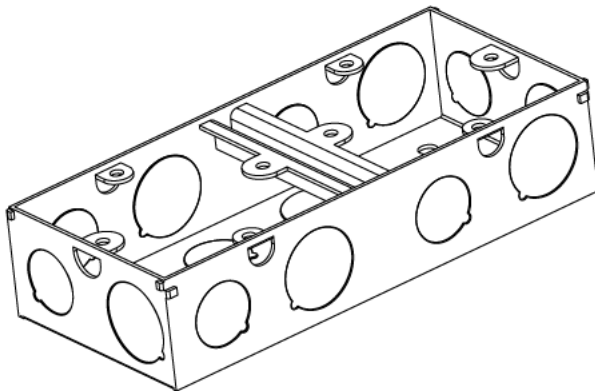
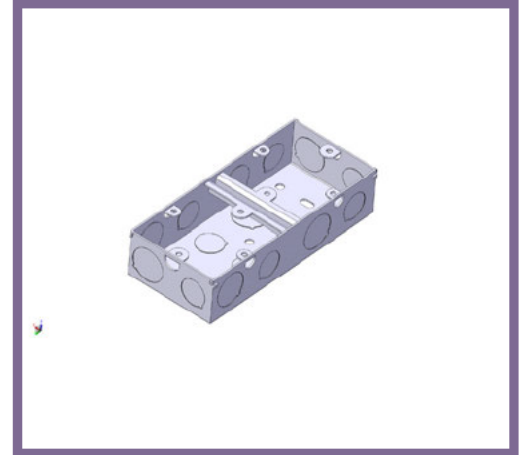


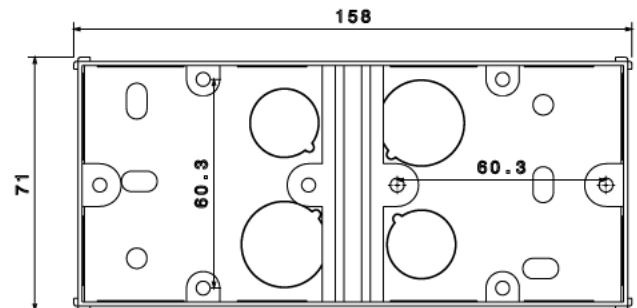


EWS6 - SWITCH & SOCKET BOX

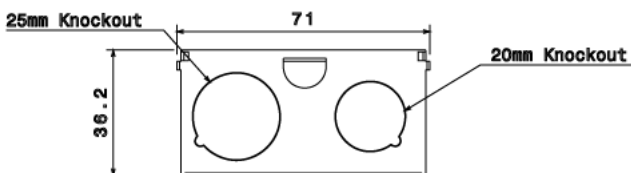
Description	EWS6 - 35mm Dual Box Switch & Socket Box
Finish	Pre Galvanised
Material	Sheet steel to comply with BS4669
Packaging	Packed in qty 5
Additional Notes	Comprises of Body and Earth Terminal with screw 6 fixed lugs and 2 adjustable lug , 20mm & 25mm Knockouts Compliant To BS4662 & LU Standard 1-085 (For Use On Surface & Sub-Surface Locations)



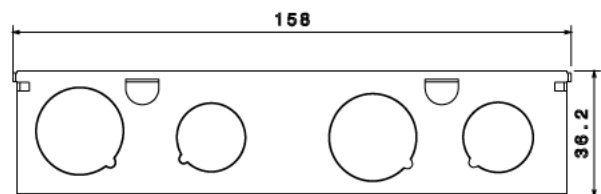
Isometric view



Top view



Front view



Side view

All measurements in mm unless otherwise stated