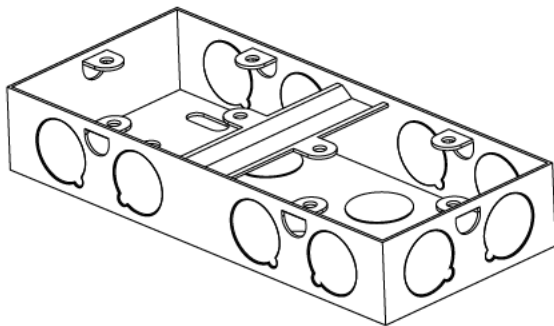
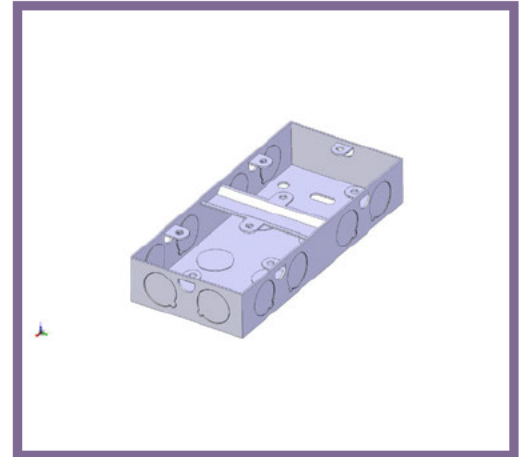


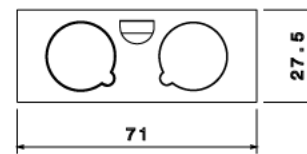


EWS6/25 - SWITCH & SOCKET BOX

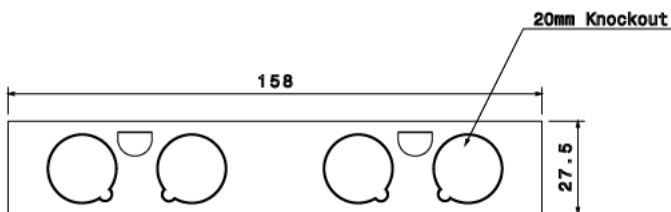
Description	EWS6/25 - 25mm Dual Box Switch & Socket Box
Finish	Pre Galvanised
Material	Sheet steel to comply with BS4667
Packaging	Packed in qty 5
Additional Notes	Comprises of Body and Earth Terminal with screw 6 fixed lugs and 2 adjustable lug , 20mm Knockouts Compliant To BS4662 & LU Standard 1-085 (For Use On Surface & Sub-Surface Locations)



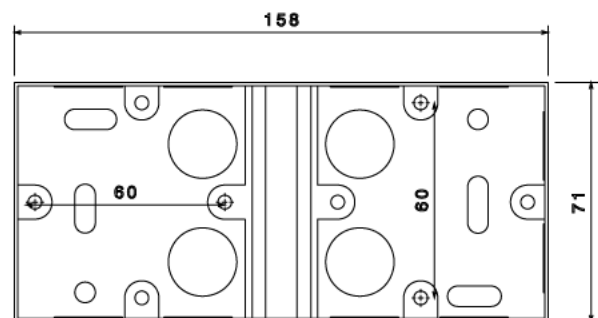
Isometric view



Front view



Side view



Top view

All measurements in mm unless otherwise stated