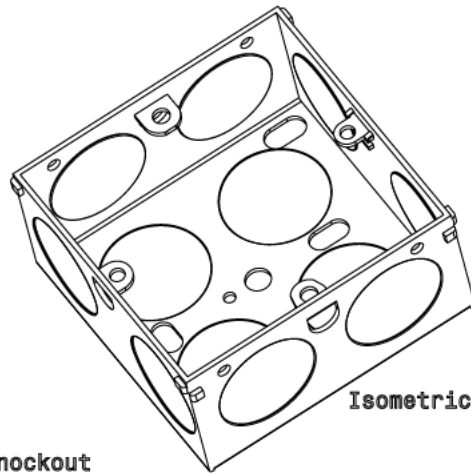
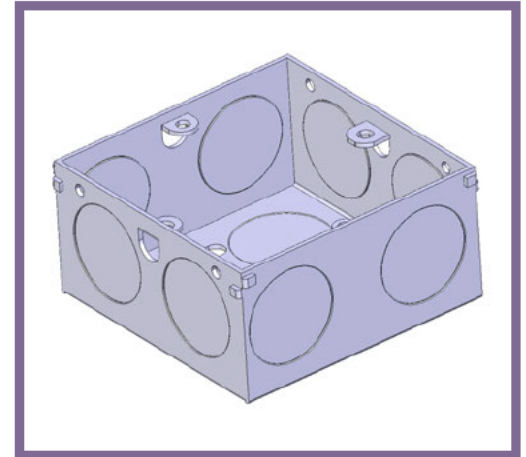


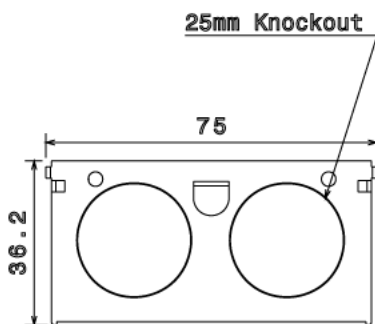


EWS4/25 - SWITCH & SOCKET BOX

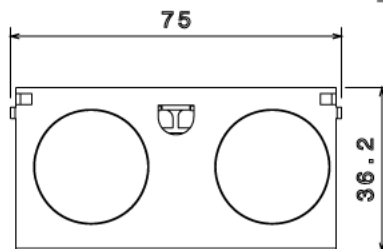
Description	EWS4/25 - 35mm 1 Gang Switch & Socket Box (25mm Knockouts)
Finish	Pre Galvanised
Material	Sheet steel to comply with BS4667
Packaging	Packed in qty 10
Additional Notes	Comprises of Body and Earth Terminal with screw 3 fixed lugs and 1 adjustable lug , 20mm & 25mm Knockouts Compliant To BS4662 & LU Standard 1-085 (For Use On Surface & Sub-Surface Locations)



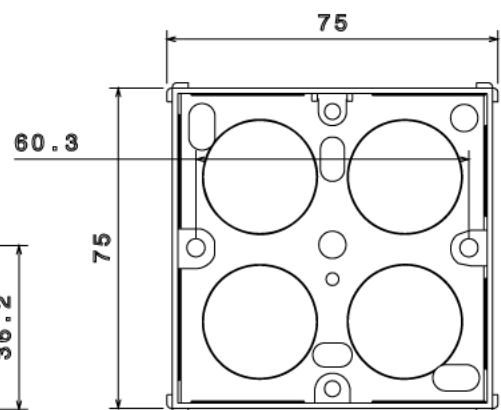
Isometric view



Front view



Side view



Top view

All measurements in mm unless otherwise stated