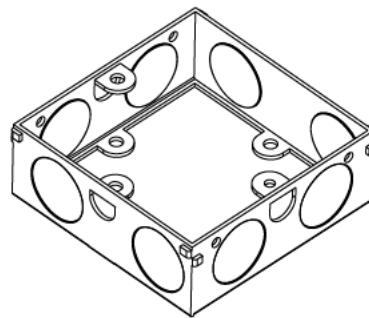
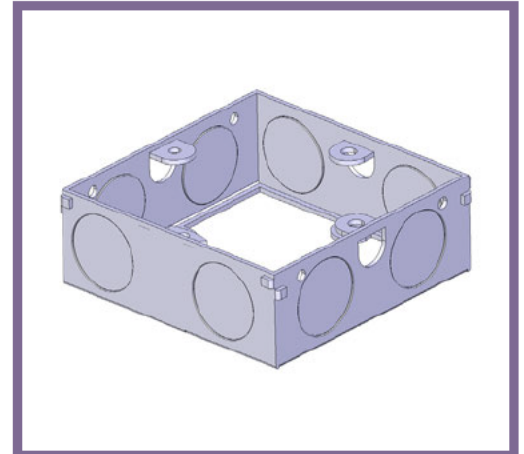


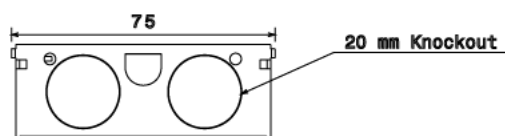


EWS11 - SWITCH & SOCKET BOX

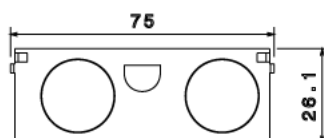
Description	EWS11 - 25mm Extension Switch & Socket Box
Finish	Pre Galvanised
Material	Sheet steel to comply with BS4667
Packaging	Packed in qty 10
Additional Notes	Comprises of Body and Earth Terminal with screw 3 fixed lugs and 1 adjustable lug , 20mm Knockouts Compliant To BS4662 & LU Standard 1-085 (For Use On Surface & Sub-Surface Locations)



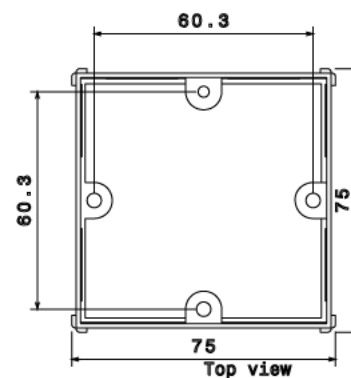
Isometric view



Front view



Side view



Top view

All measurements in mm unless otherwise stated