



ET5 - MALLEABLE CONDUIT BOX

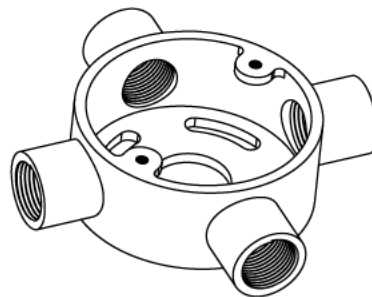
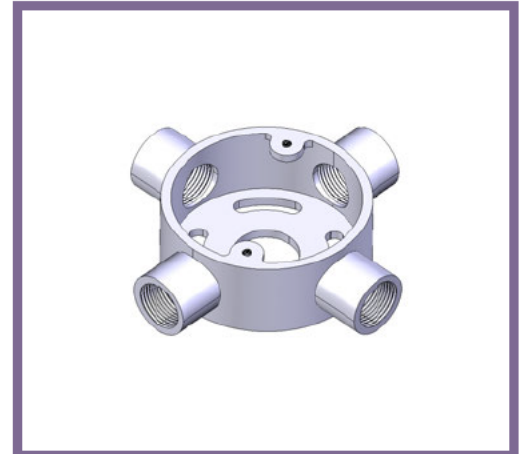
Description ET5G / B - 20mm Intersection Extension Malleable Conduit Box

Finish Galvanised (G) or Black Enamel (B)

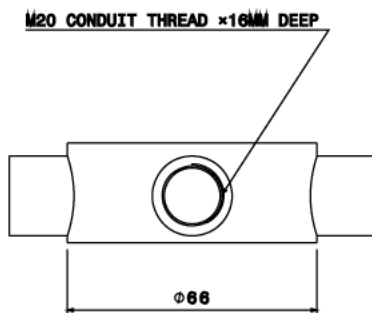
Material Malleable Iron

Packaging Packed in qty 10

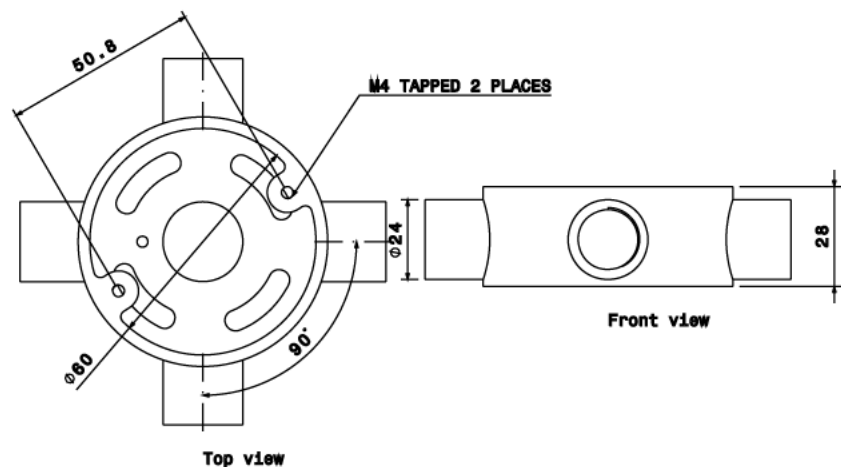
Additional Notes Compliant to LU Standard 1-085
(For use on surface & sub-surface locations)



Isometric view



Side view



Top view

Front view

All measurements in mm unless otherwise stated