



ET3 - MALLEABLE CONDUIT BOX

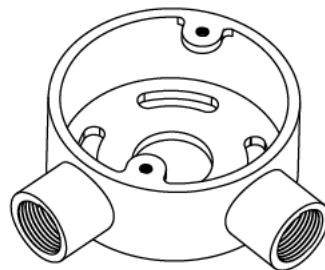
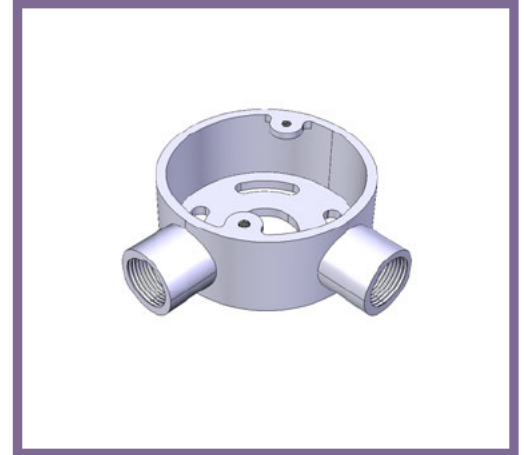
Description ET3G / B - 20mm Angle Extension Malleable Conduit Box

Finish Galvanised (G) or Black Enamel (B)

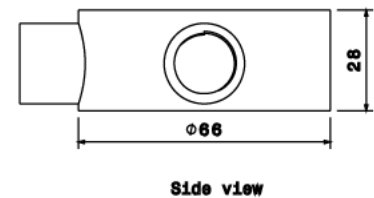
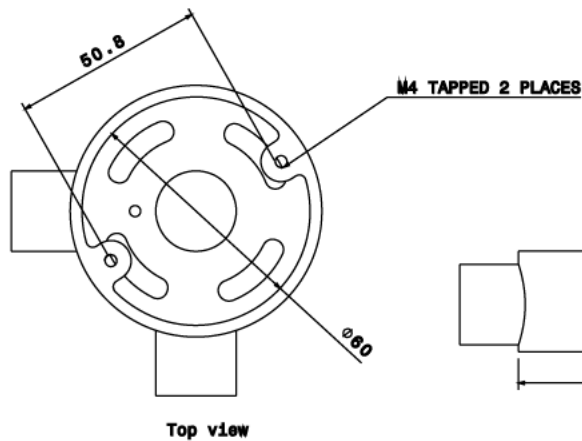
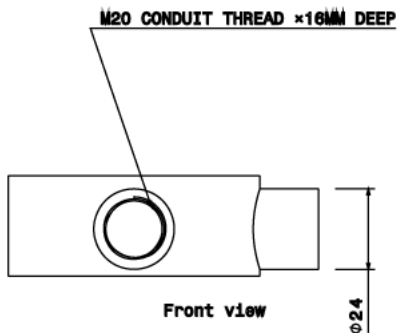
Material Malleable Iron

Packaging Packed in qty 10

Additional Notes Compliant to LU Standard 1-085
(For use on surface & sub-surface locations)



Isometric view



All measurements in mm unless otherwise stated