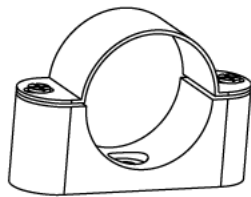
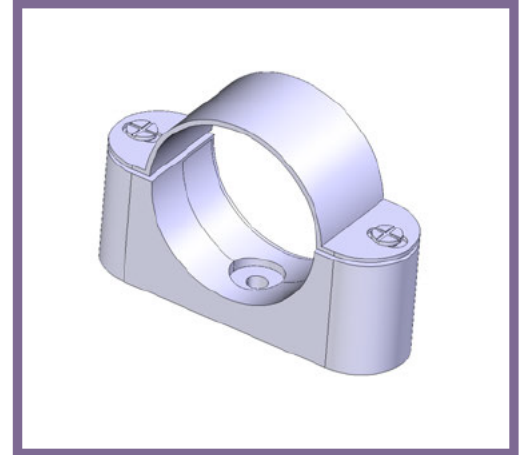


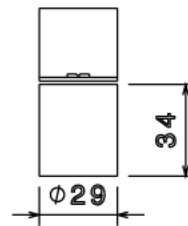


## DS5 - DISTANCE SADDLE

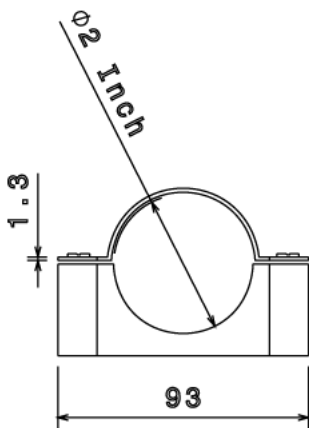
|                         |  |
|-------------------------|--|
| <b>Description</b>      | DS5G / B - 2" Distance Saddle  |
| <b>Finish</b>           | Galvanised (G) or Black Enamel (B)   |
| <b>Material</b>         | Cast Body , Pressed Steel Strap  |
| <b>Packaging</b>        | Packed in qty 10   |
| <b>Additional Notes</b> | Comprises of Body, Strap and 2 screws<br>Compliant to LU Standard 1-085<br>( for use on surface & sub-surface locations) |



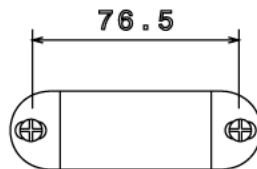
**Isometric view**



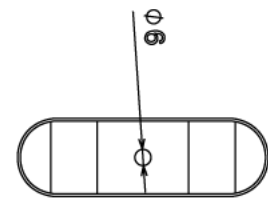
**Side view**



**Front view**



**Top view**



**Bottom View**

All measurements in mm unless otherwise stated