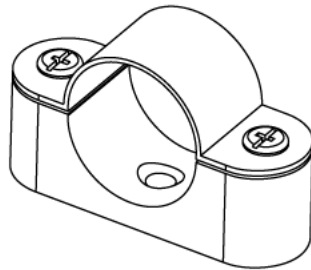
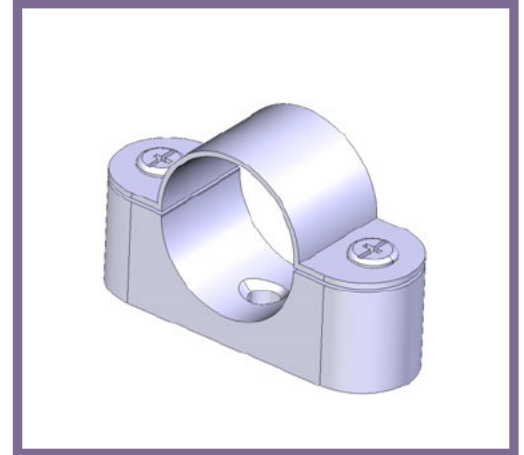


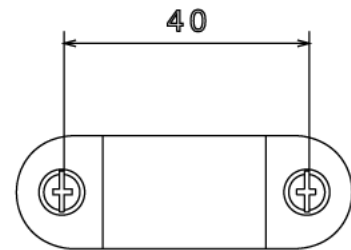


## DS2 - DISTANCE SADDLE

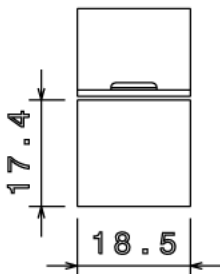
<b>Description</b>	DS2G / B - 25mm Distance Saddle
<b>Finish</b>	Galvanised (G) or Black Enamel (B)
<b>Material</b>	Cast Body , Pressed Steel Strap
<b>Packaging</b>	Packed in qty 50
<b>Additional Notes</b>	Comprises of Body, Strap and 2 screws Compliant to LU Standard 1-085 ( for use on surface & sub-surface locations)



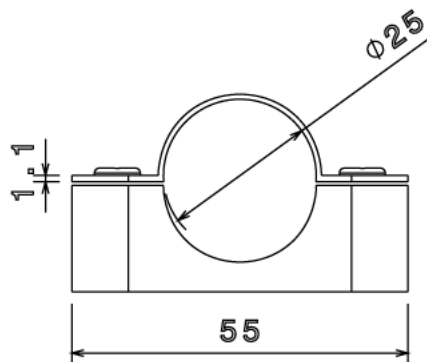
Isometric view



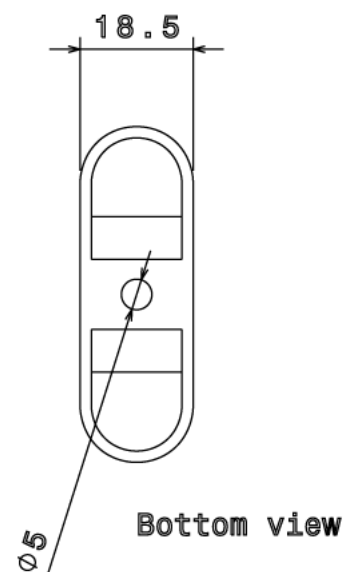
Top view



Side view



Front view



Bottom view

All measurements in mm unless otherwise stated