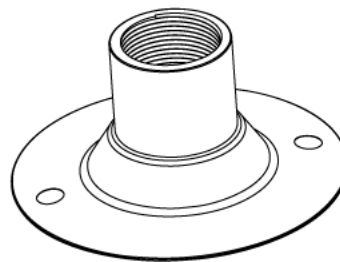
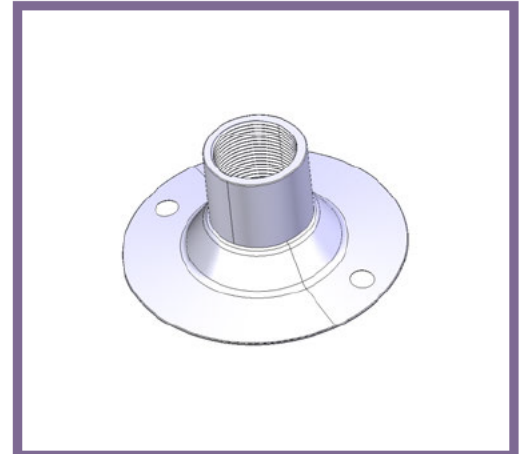


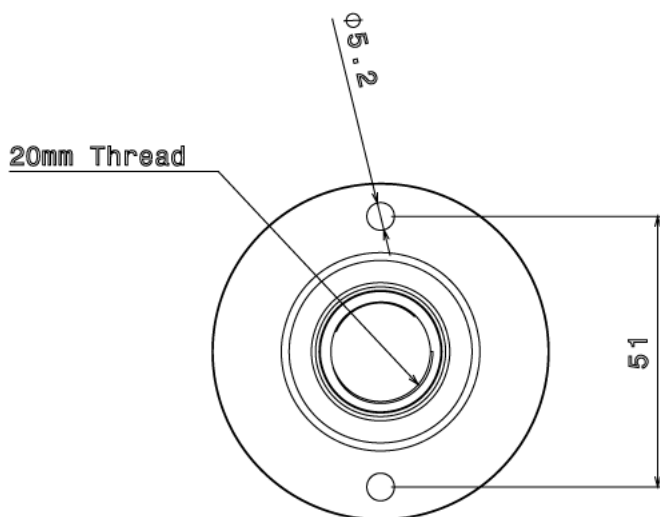


DC1 - DOME COVER

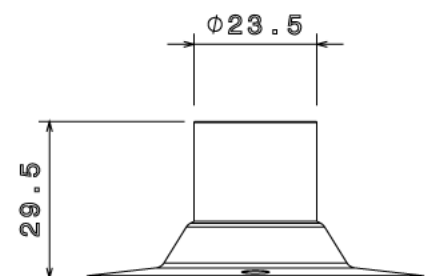
Description	DC1G / B - 20mm Dome Cover
Finish	BZP (G) or Black (B)
Material	Pressed Steel
Packaging	Packed in qty 25
Additional Notes	Compliant to LU Standard 1-085 (For use on surface & sub-surface locations)



Isometric view



Top view



Side view

All measurements in mm unless otherwise stated