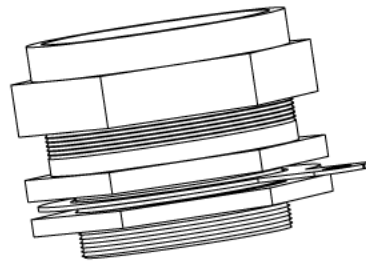
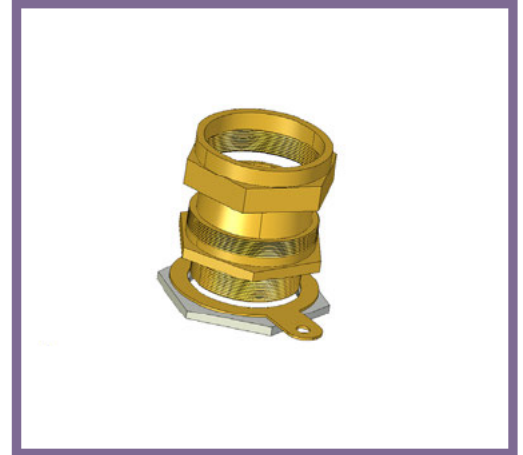


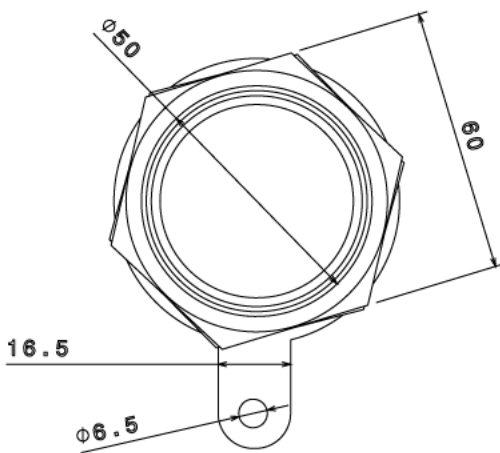


BW50 - CABLE GLAND KIT

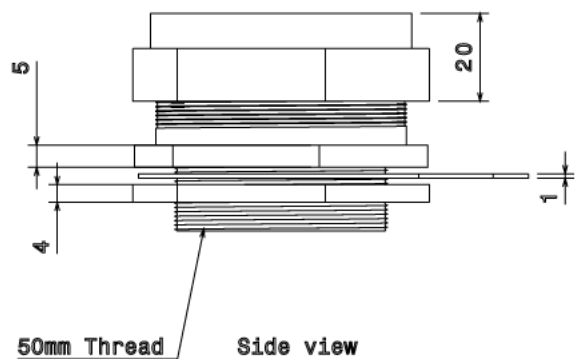
Description	BW50 - 50mm Cable Gland Kit
Finish	Self Colour
Material	Brass
Packaging	Packed in qty 1
Additional Notes	BW Glands are designed for internal application Kit comprises of 1 Gland, 1 Shroud, 1 Tag and 1 Locknut



Isometric view



Top view



50mm Thread Side view

All measurements in mm unless otherwise stated