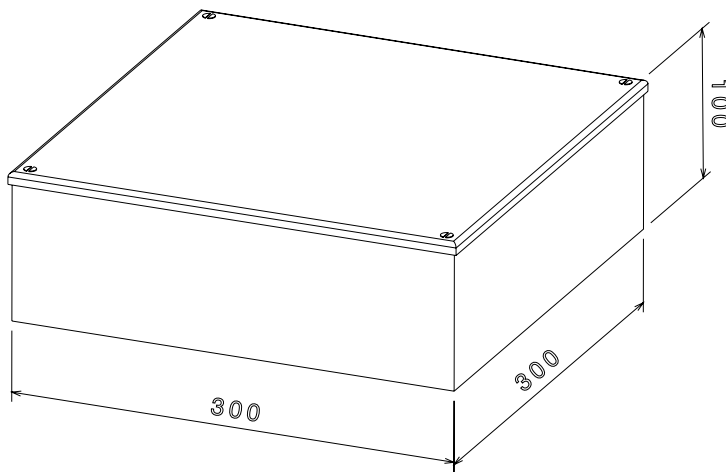
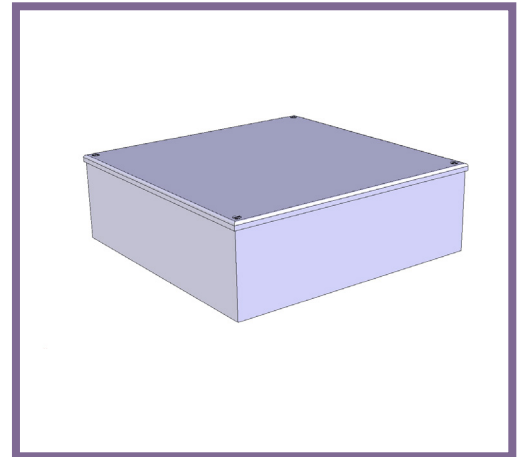


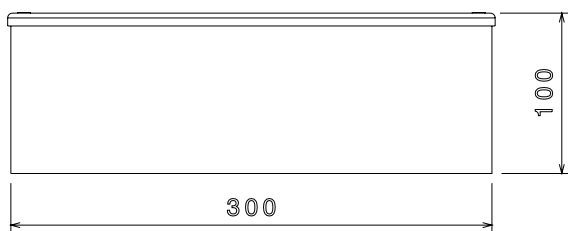


## AB24G - ADAPTABLE BOX - PLAIN

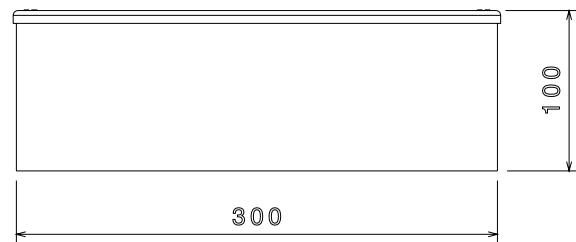
<b>Description</b>	AB24G - 300 x 300 x 100mm (12 x 12 x 4") Adaptable Box - Plain
<b>Finish</b>	Pre Galvanised Sheet Steel
<b>Material</b>	Galvanised Steel Sheet
<b>Packaging</b>	Supplied individually
<b>Additional Notes</b>	Comprises of Body, Flanged Cover and M5 x 10mm Lid Fixing Screws Plain sides (This product is also available with pre-cut Knockouts) Compliant To LU Standard 1-085 ( For Use On Surface & Sub-Surface Locations)



Isometric view



Front view



Side view

All measurements in mm unless otherwise stated