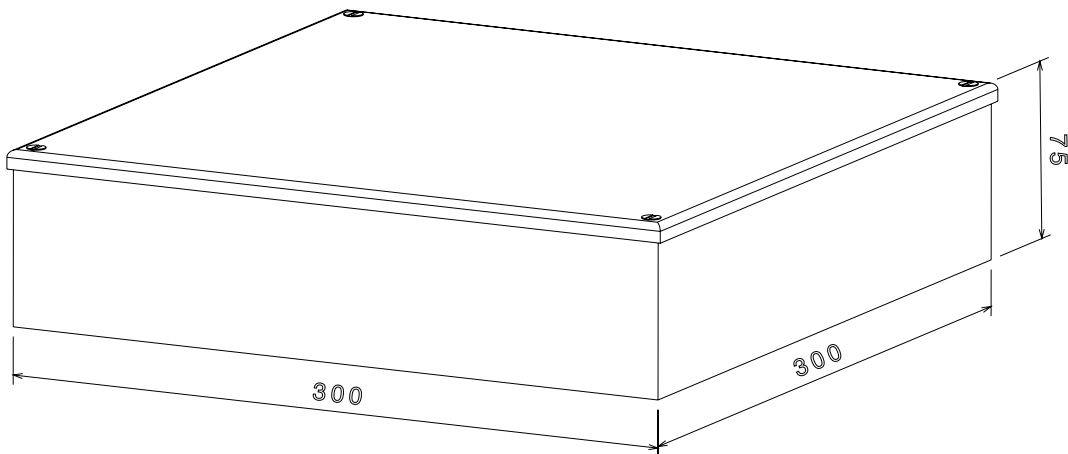
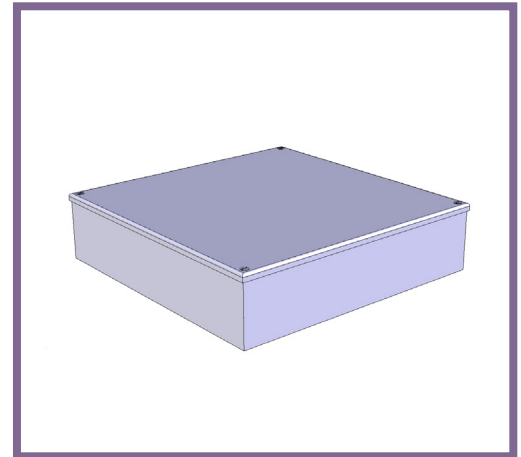


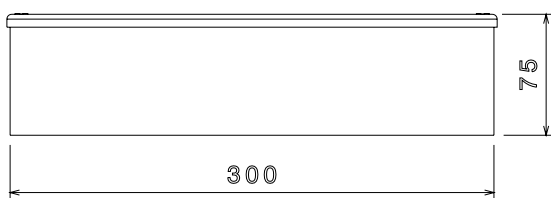


AB23G - ADAPTABLE BOX - PLAIN

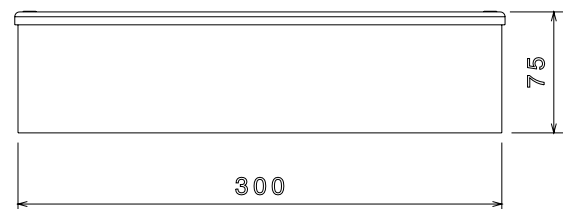
Description	AB23G - 300 x 300 x 75mm (12 x 12 x 3") Adaptable Box - Plain
Finish	Pre Galvanised Sheet Steel
Material	Galvanised Steel Sheet
Packaging	Supplied individually
Additional Notes	Comprises of Body, Flanged Cover and M5 x 10mm Lid Fixing Screws Plain sides (This product is also available with pre-cut Knockouts) Compliant To LU Standard 1-085 (For Use On Surface & Sub-Surface Locations)



Isometric view



Front view



Side view

All measurements in mm unless otherwise stated