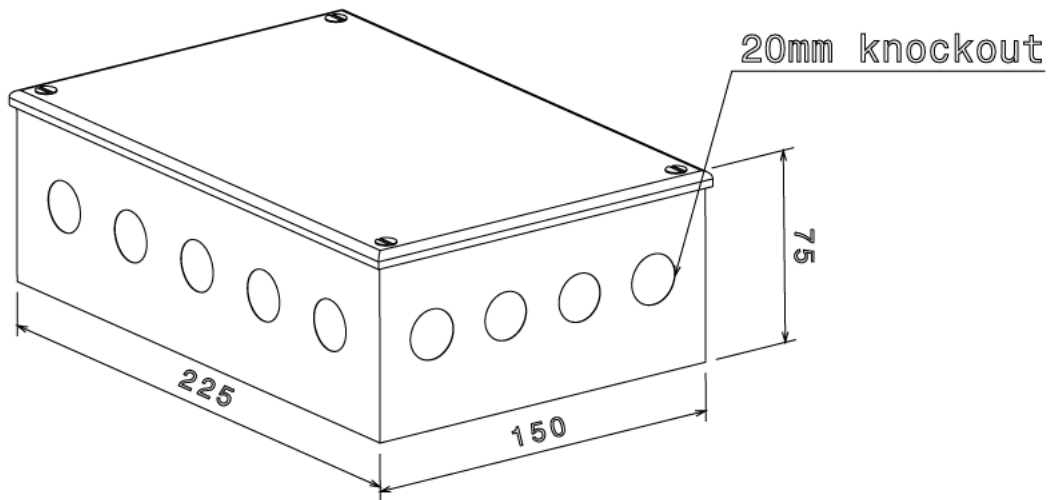
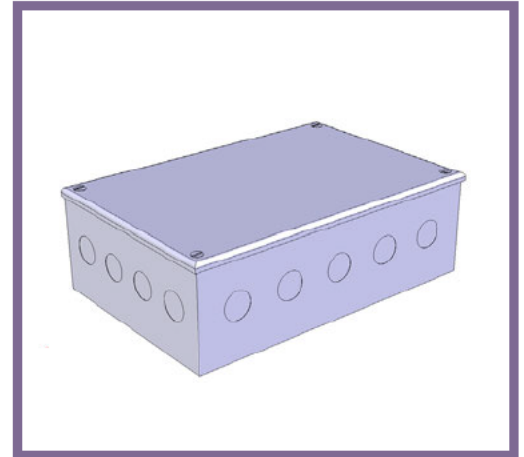


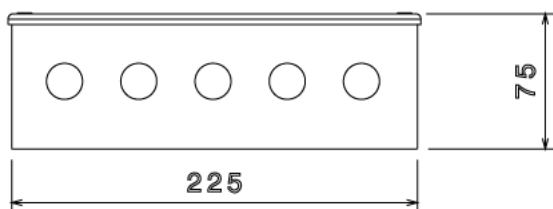


AB17G/K - ADAPTABLE BOX - KNOCK OUT

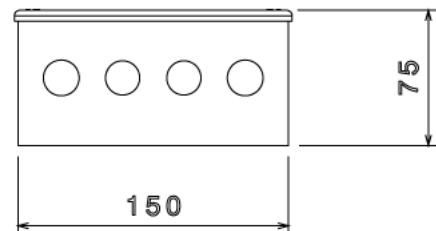
Description	AB17G/K - 225 x 150 x 75mm (9 x 6 x 3") Adaptable Box - Knock Out
Finish	Pre Galvanised Sheet Steel
Material	1.2mm Nominal Galvanised Steel Sheet to BS EN 50142 & 3
Packaging	Packed in qty 5 (Can be purchased individually)
Additional Notes	Comprises of Body, Flanged Cover and 4 Lid Fixing Screws Knock outs - 4 x 20mm (end face) 5 x 20mm (side face) Compliant To LU Standard 1-085 (For Use On Surface & Sub-Surface Locations)



Isometric view



Front view



Side view

All measurements in mm unless otherwise stated