



AB15G - ADAPTABLE BOX - PLAIN

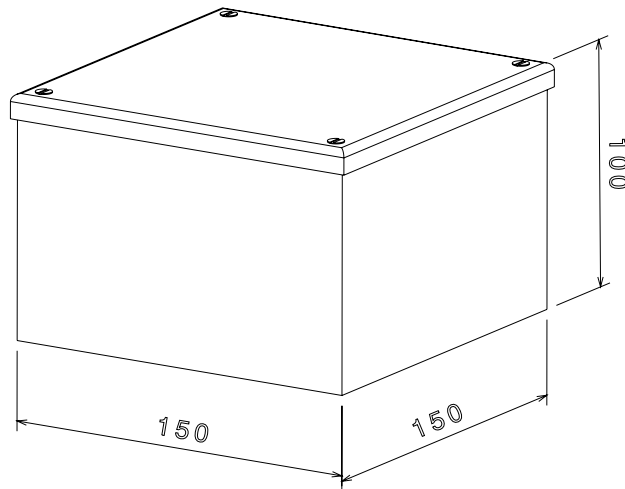
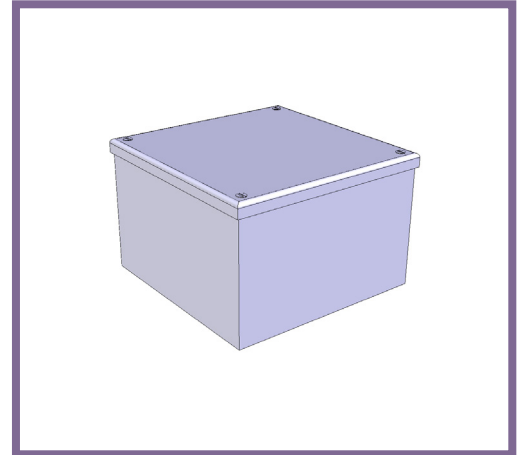
Description AB15G - 150 x 150 x 100mm (6 x 6 x 4") Adaptable Box - Plain

Finish Pre Galvanised Sheet Steel

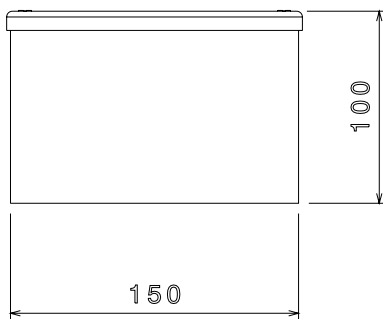
Material Galvanised Steel Sheet

Packaging Packed in qty 3 (Can be purchased individually)

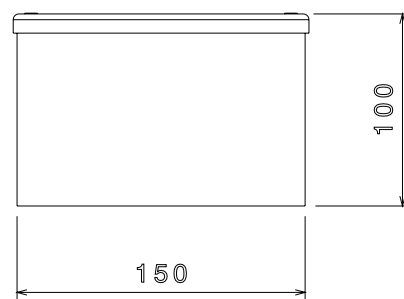
Additional Notes Comprises of Body, Flanged Cover and M5 x 10mm Lid Fixing Screws
Plain sides (This product is also available with pre-cut Knockouts)
Compliant To LU Standard 1-085 (For Use On Surface & Sub-Surface Locations)



Isometric view



Front view



Side view

All measurements in mm unless otherwise stated