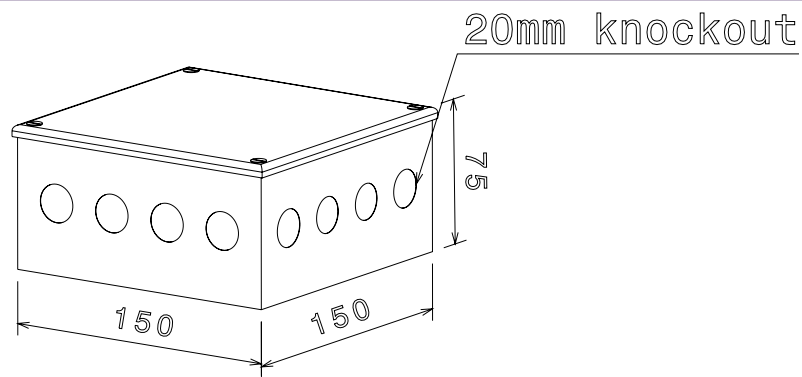
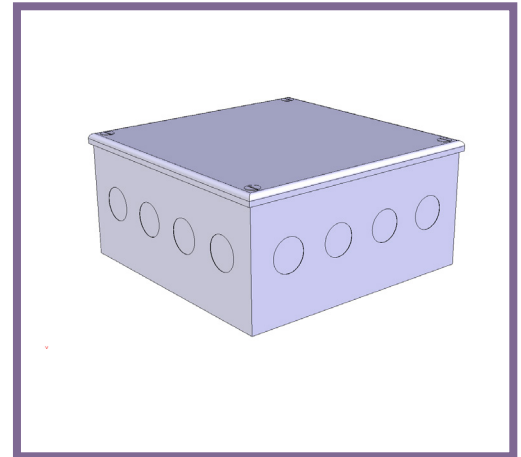


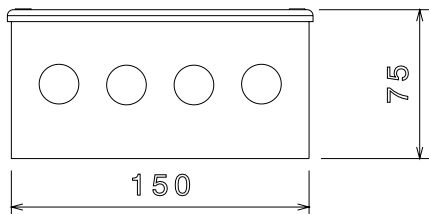


AB14G/K - ADAPTABLE BOX - KNOCK OUT

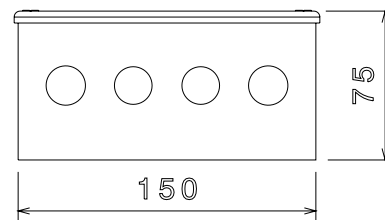
| | |
|-------------------------|----------------------------------------------------------------------------------------------------------------------------------------------------------------------------------------|
| Description | AB14G/K - 150 x 150 x 75mm (6 x 6 x 3") Adaptable Box - Knock Out |
| Finish | Pre Galvanised Sheet Steel |
| Material | Galvanised Steel Sheet |
| Packaging | Packed in qty 5 (Can be purchased individually) |
| Additional Notes | Comprises of Body, Flanged Cover and M5 x 10mm Lid Fixing Screws Knock outs - 4 x 20mm on each face Compliant To LU Standard 1-085 (For Use On Surface & Sub-Surface Locations) |



Isometric view



Front view



Side view

All measurements in mm unless otherwise stated