



## AB10G - ADAPTABLE BOX - PLAIN

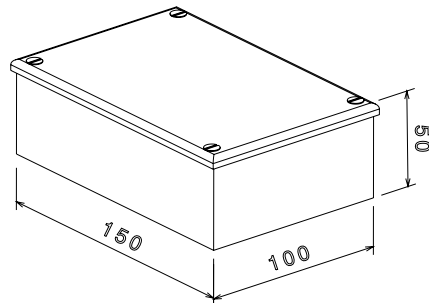
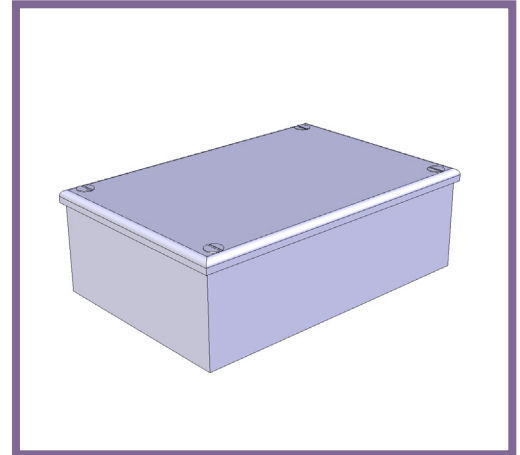
**Description** AB10G - 150 x 100 x 50mm (6 x 4 x 2") Adaptable Box - Plain

**Finish** Pre Galvanised Sheet Steel

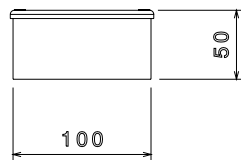
**Material** Galvanised Steel Sheet

**Packaging** Packed in qty 5 ( Can be purchased individually)

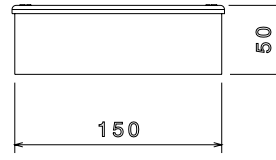
**Additional Notes** Comprises of Body, Flanged Cover and M5 x 10mm Lid Fixing Screws  
Plain sides (This product is also available with pre-cut Knockouts)  
Compliant To LU Standard 1-085 ( For Use On Surface & Sub-Surface Locations)



Isometric view



Front view



Side view

All measurements in mm unless otherwise stated