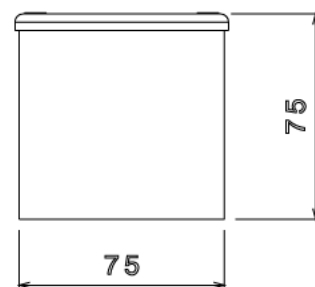
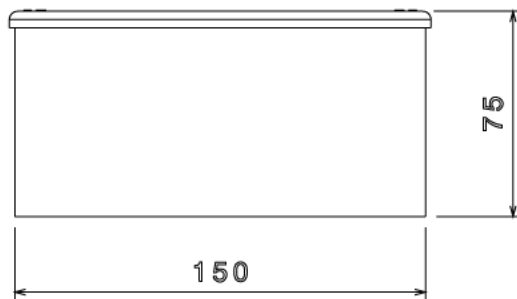
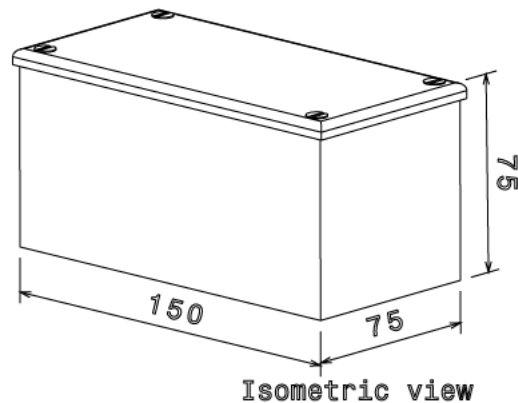
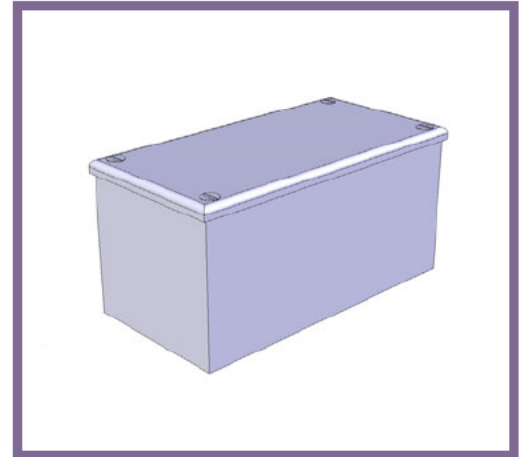




AB09G - ADAPTABLE BOX - PLAIN

Description	AB09G - 150 x 75 x 75mm (6 x 3 x 3") Adaptable Box - Plain
Finish	Pre Galvanised Sheet Steel
Material	1.2mm Nominal Galvanised Steel Sheet to BS EN 50142 & 3
Packaging	Packed in qty 5 (Can be purchased individually)
Additional Notes	Comprises of Body, Flanged Cover and 4 Lid Fixing Screws Plain sides (This product is also available with pre-cut Knockouts) Compliant To LU Standard 1-085 (For Use On Surface & Sub-Surface Locations)



All measurements in mm unless otherwise stated