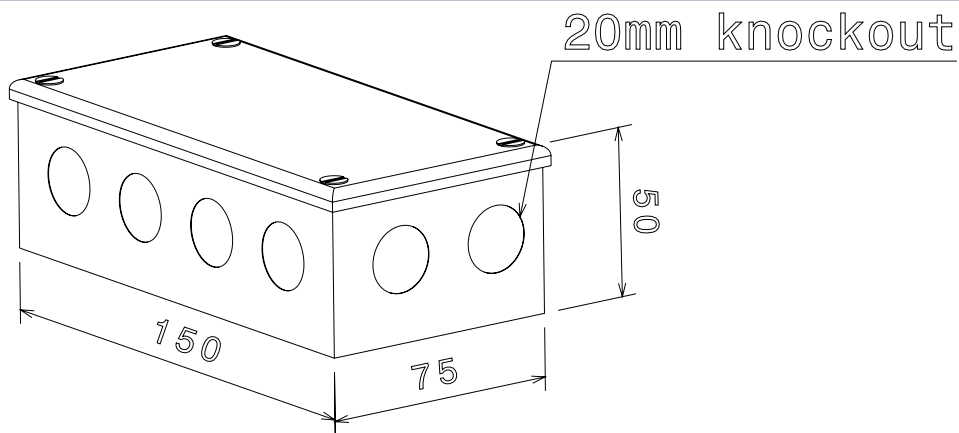
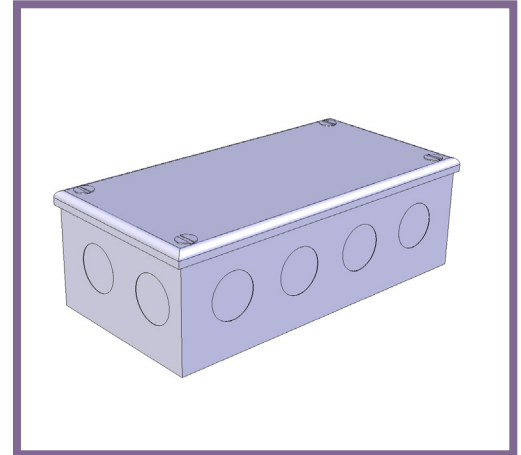


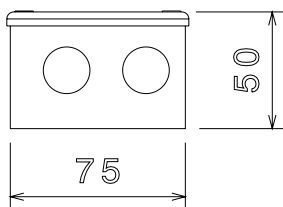


## AB08G/K - ADAPTABLE BOX - KNOCK OUT

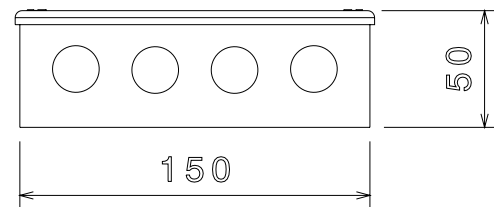
<b>Description</b>	AB08G/K - 150 x 75 x 50mm (6 x 3 x 2") Adaptable Box - Knock Out
<b>Finish</b>	Pre Galvanised Sheet Steel
<b>Material</b>	Galvanised Steel Sheet
<b>Packaging</b>	Packed in qty 5 ( Can be purchased individually)
<b>Additional Notes</b>	Comprises of Body, Flanged Cover and M5 x 10mm Lid Fixing Screws Knock outs - 2 x 20mm (end face ) 4 x 20mm (side face) Compliant To LU Standard 1-085 ( For Use On Surface & Sub-Surface Locations)



Isometric view



Front view



Side view

All measurements in mm unless otherwise stated