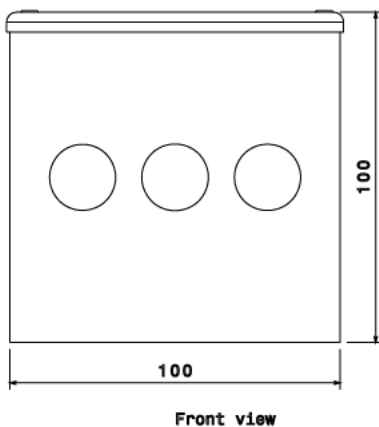
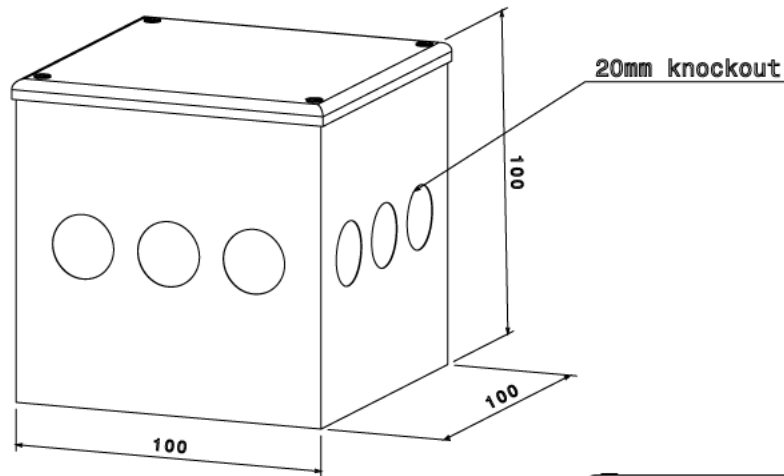
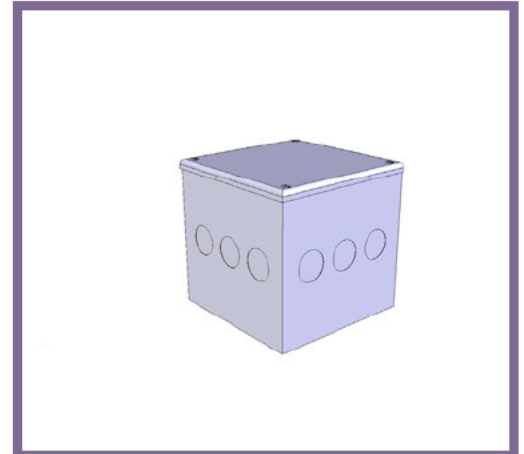


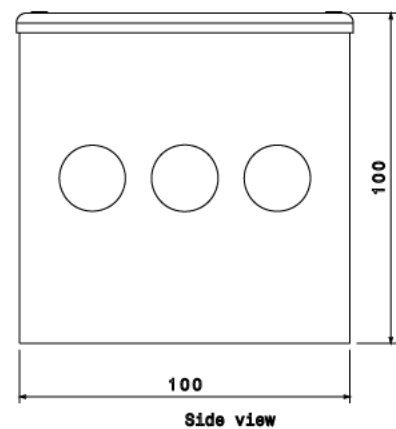


AB07G/K - ADAPTABLE BOX - KNOCK OUT

Description	AB07G/K - 100 x 100 x 100mm (4 x 4 x 4") Adaptable Box - Knock Out
Finish	Pre Galvanised Sheet Steel
Material	1.2mm Nominal Galvanised Steel Sheet to BS EN 50142 & 3
Packaging	Packed in qty 2 (Can be purchased individually)
Additional Notes	Comprises of Body, Flanged Cover and 4 Lid Fixing Screws Knock outs - 3 x 20mm on each face Compliant To LU Standard 1-085 (For Use On Surface & Sub-Surface Locations)



Isometric view



All measurements in mm unless otherwise stated