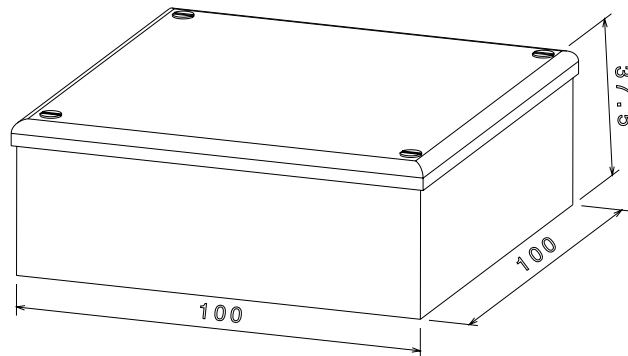
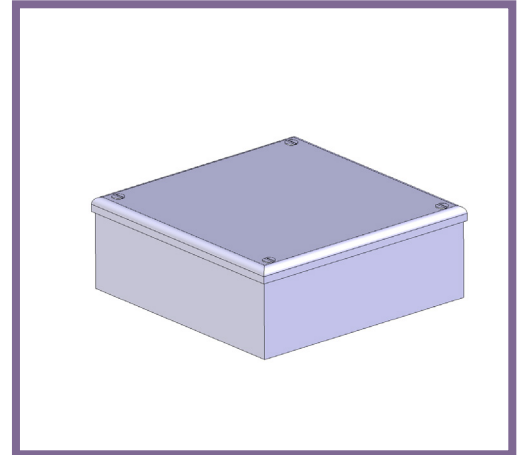


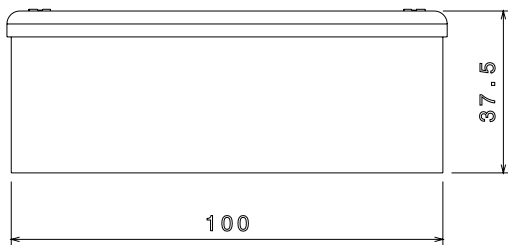


AB04G - ADAPTABLE BOX - PLAIN

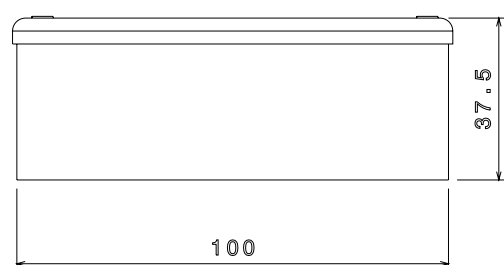
Description	AB04G - 100 x 100 x 37.5mm (4 x 4 x 1.5") Adaptable Box - Plain
Finish	Pre Galvanised Sheet Steel
Material	Galvanised Steel Sheet
Packaging	Packed in qty 5 (Can be purchased individually)
Additional Notes	Comprises of Body, Flanged Cover and M5 x 10mm Lid Fixing Screws Plain sides (This product is also available with pre-cut Knockouts) Compliant To LU Standard 1-085 (For Use On Surface & Sub-Surface Locations)



Isometric view



Front view



Side view

All measurements in mm unless otherwise stated